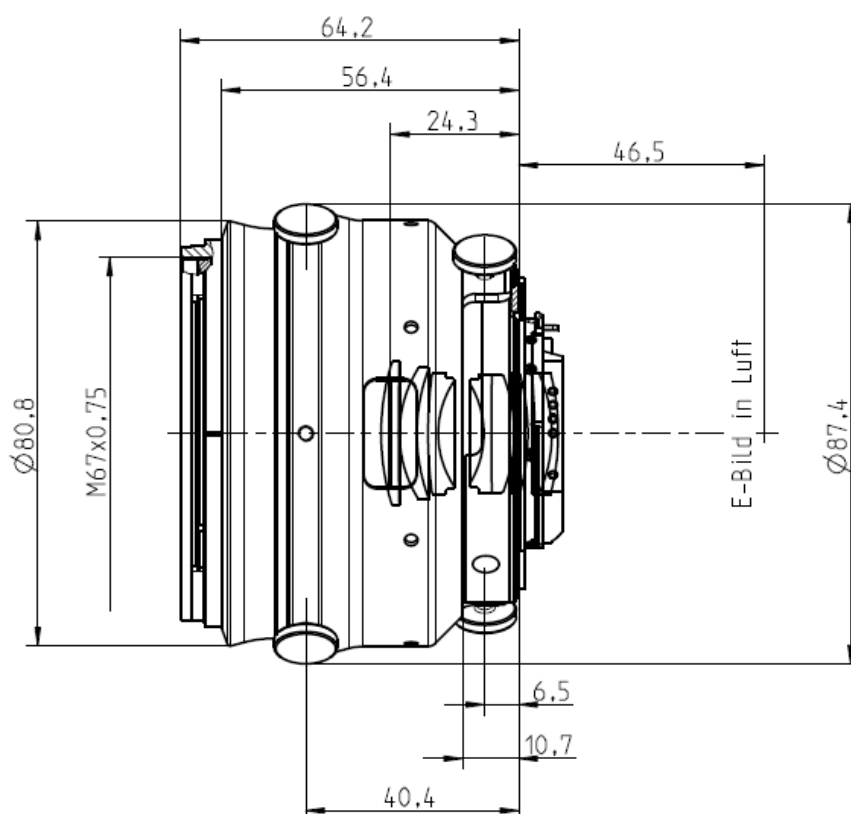




ZEISS Interlock 2/50

Technical Specifications



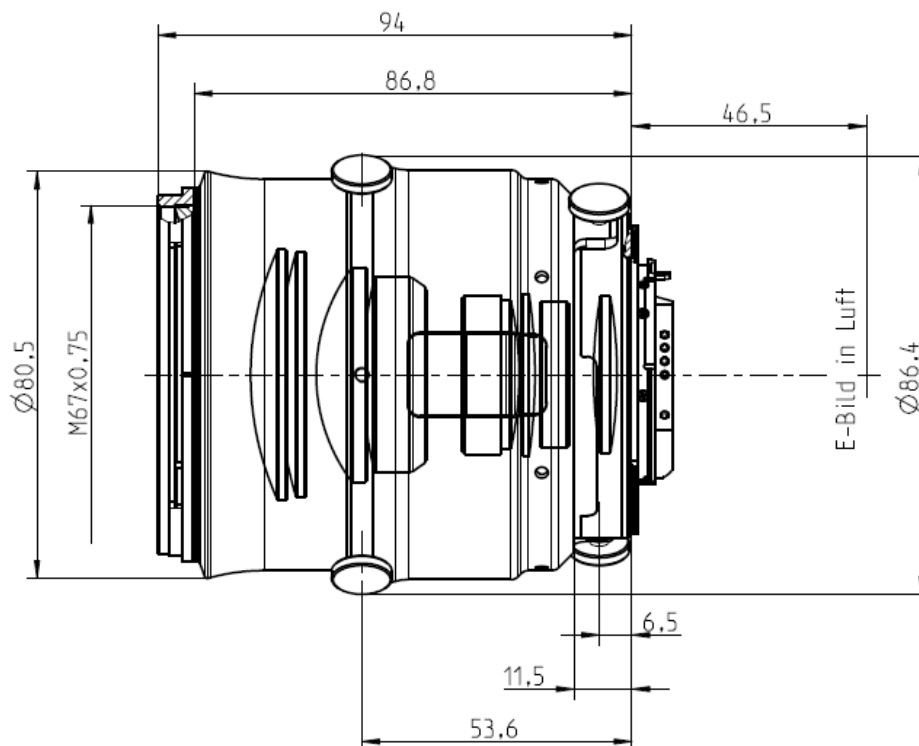
Focal length	50 mm
Aperture range	f/2 – f/22 (1/ 2 stop intervals or continuous)
Number of elements / groups	8 / 6
Min. working distance (object to sensor)	240 mm (0.78 ft.) – ∞
Min. free working distance	100 mm (0.33 ft.) – ∞
Angular field* (diag. / horiz. / vert.)	45 / 38 / 26°
Max. diameter of image field	43 mm (1.7")
Flange focal length	F-Mount: 46,5 mm (1.8"); M42-Mount: 45,5 mm
Coverage at close range	48 x 72 mm (1.9 x 2.8"), line 86 mm (3.3")
Image ratio at close range	1:2
Filter-thread	M 67 x 0.75
Weight	720 g (1.6 lbs.)
Camera mount	F bayonet, M42

* referring to 35 mm format



ZEISS Interlock 2/100

Technical Specifications



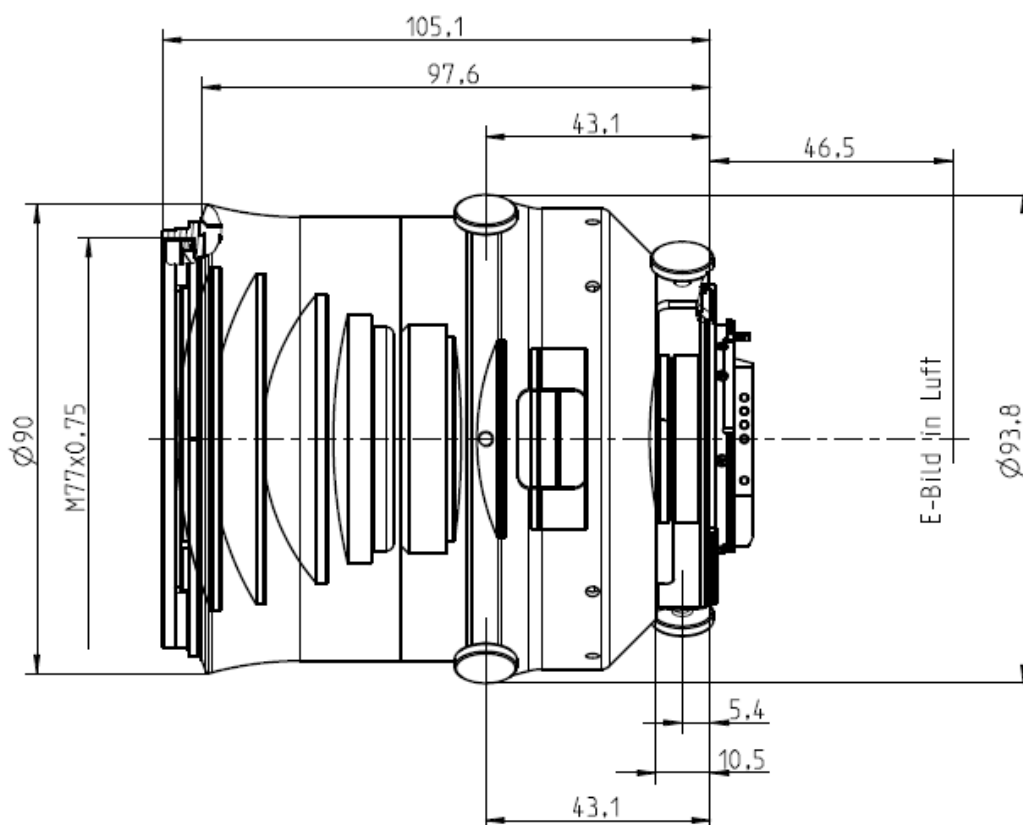
Focal length	100 mm
Aperture range	f/2 – f/22 (1/ 2 stop intervals or continuous)
Number of elements / groups	9 / 8
Min. working distance (object to sensor)	440 mm (1.44 ft.) – ∞
Min. free working distance	250 mm (0.82 ft.) – ∞
Angular field* (diag. / horiz. / vert.)	25 / 21 / 14 °
Max. diameter of image field	43 mm (1.7")
Flange focal length	F-Mount: 46,5 mm (1.8"); M42-Mount: 45,5 mm
Coverage at close range	48 x 72 mm (1.9 x 2.8"), line 86 mm (3.3")
Image ratio at close range	1:2
Filter-thread	M 67 x 0.75
Weight	875 g (1.9 lbs.)
Camera mount	F bayonet, M42

* referring to 35 mm format



ZEISS Interlock 2/135

Technical Specifications



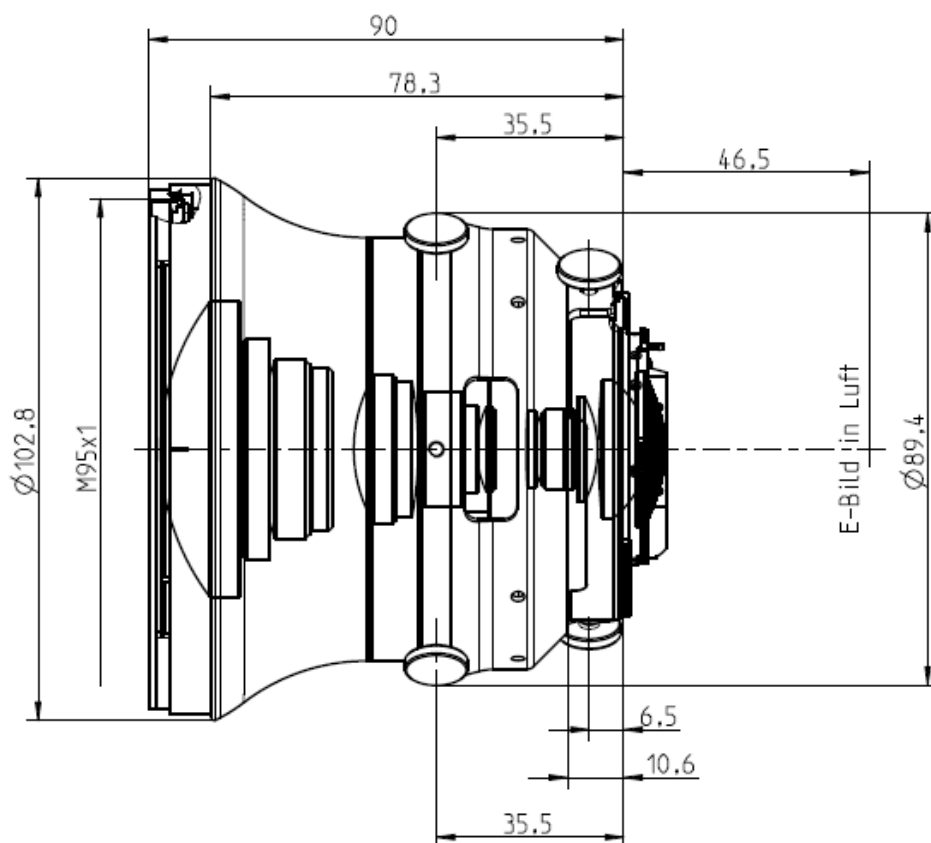
Focal length	135 mm
Aperture range	f/2 – f/22 (1/2 stop intervals or continuous)
Number of elements / groups	11 / 8
Min. working distance (object to sensor)	800 mm (2.62 ft.) – ∞
Min. free working distance	620 mm (1.37 ft.) – ∞
Angular field* (diag. / horiz. / vert.)	18,7 / 15,6 / 10,5 °
Max. diameter of image field	43 mm (1.7")
Flange focal length	F-Mount: 46,5 mm (1.8"); M42-Mount: 45,5 mm
Coverage at close range	145 x 96 mm (5.7 x 3.8") line 172 mm (6.8")
Image ratio at MOD	1:4
Filter-thread	M 77 x 0.75
Weight	1.126 g (2.48 lbs.)
Camera mount	F bayonet, M42

* referring to 35 mm format



ZEISS Interlock 2.8/15

Technical Specifications



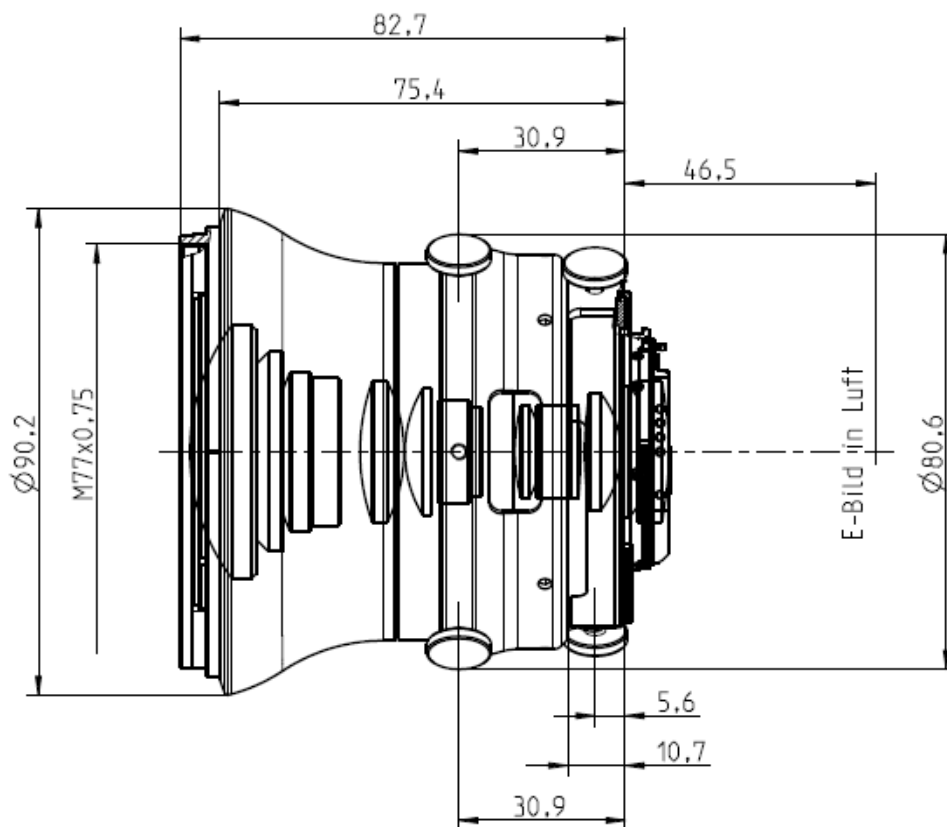
Focal length	15 mm
Aperture range	f/2.8 – f/22 (1/2 stop intervals or continuous)
Number of elements / groups	15/12
Min. working distance (object to sensor)	250 mm (0.82 ft.) - ∞
Min. free working distance	90 mm (0.29 ft.) - ∞
Angular field* (diag. / horiz. / vert.)	110 / 100 / 76°
Max. diameter of image field	43 mm (1.7")
Flange focal length	F-Mount: 46.5 mm (1.8"); M42-Mount: 45,5 mm
Coverage at close range	340 x 221 mm (13.4 x 8.7"), line 387 mm (15.2")
Image ratio at close range	1:9
Filter-thread	M 95 x 1.0
Weight	927 g (2.0 lbs.)
Camera mount	F bayonet, M42

* referring to 35 mm format



ZEISS Interlock 2.8/18

Technical Specifications



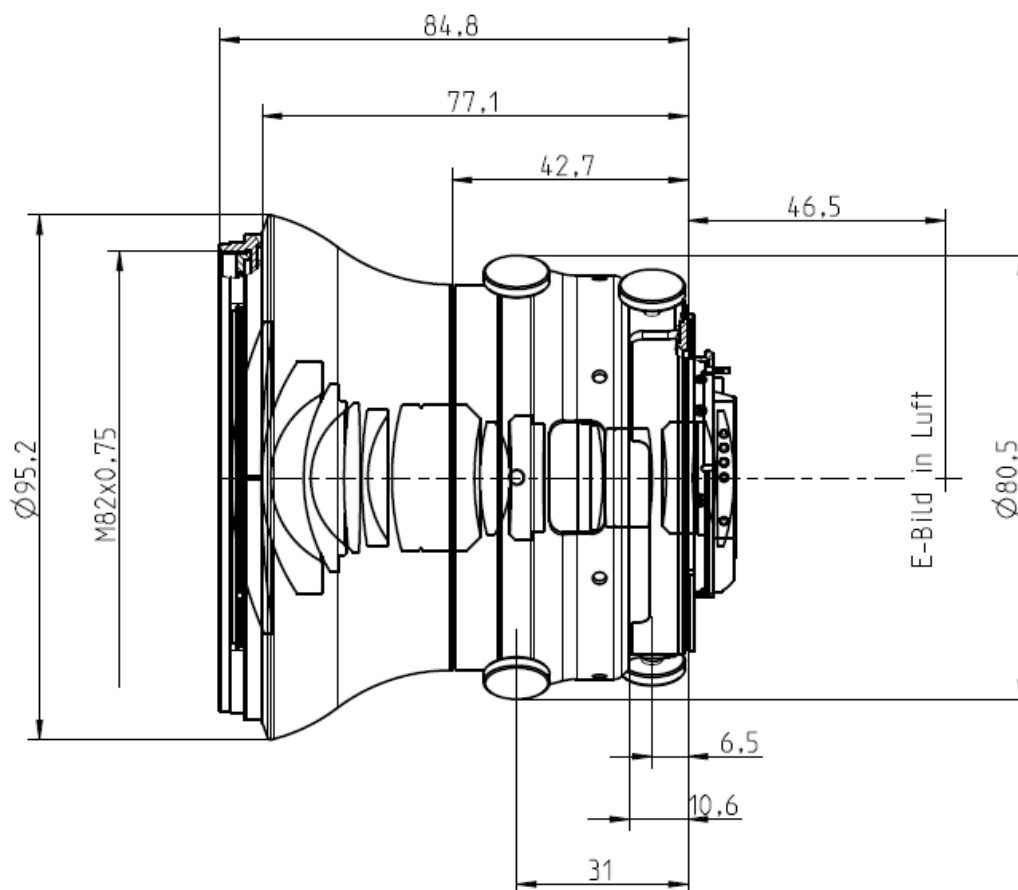
Focal length	18 mm
Aperture range	f/2.8 – f/22 (1/2 stop intervals or continuous)
Number of elements / groups	14/12
Min. working distance (object to sensor)	250 mm (0.82 ft.) - ∞
Min. free working distance	120 mm (0.39 ft.) - ∞
Angular field* (diag. / horiz. / vert.)	99,9 / 89,4 / 66,5°
Max. diameter of image field	43 mm (1.7")
Flange focal length	F-Mount: 46.5 mm (1.8"); M42-Mount: 45,5 mm
Coverage at close range	274 x 180 mm (10.8 x 7.1") line 318 mm (12.5")
Image ratio at close range	1:7.4
Filter-thread	M 77 x 0.75
Weight	722 g (1.59 lbs.)
Camera mount	F bayonet, M42

* referring to 35 mm format



ZEISS Interlock 2.8/21

Technical Specifications



Focal length	21 mm
Aperture range	f/2.8 – f/22 (1/ 2 stop intervals or continuous)
Number of elements / groups	16/13
Min. working distance (object to sensor)	220 mm (0.72 ft.) - ∞
Min. free working distance	90 mm (0.29 ft.) - ∞
Angular field* (diag. / horiz. / vert.)	90 / 81 / 59°
Max. diameter of image field	43 mm (1.7")
Flange focal length	F-Mount: 46.5 mm (1.8"); M42-Mount: 45,5 mm
Coverage at close range	120 x 180 mm (4.7 x 7.1"), line 215 mm (8.4")
Image ratio at close range	1:5
Filter-thread	M 82 x 0.75
Weight	785 g (1.7 lbs.)
Camera mount	F bayonet, M42

* referring to 35 mm format