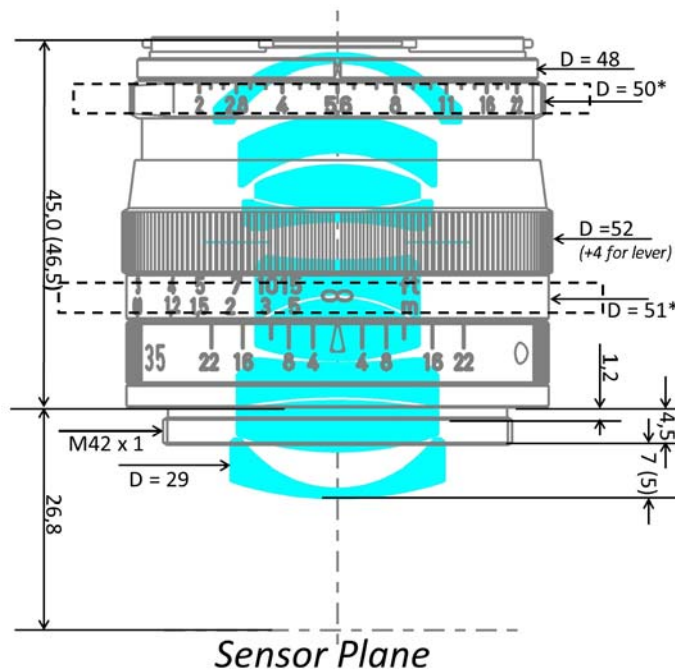




Biogon T* 2/35

Technical Specifications



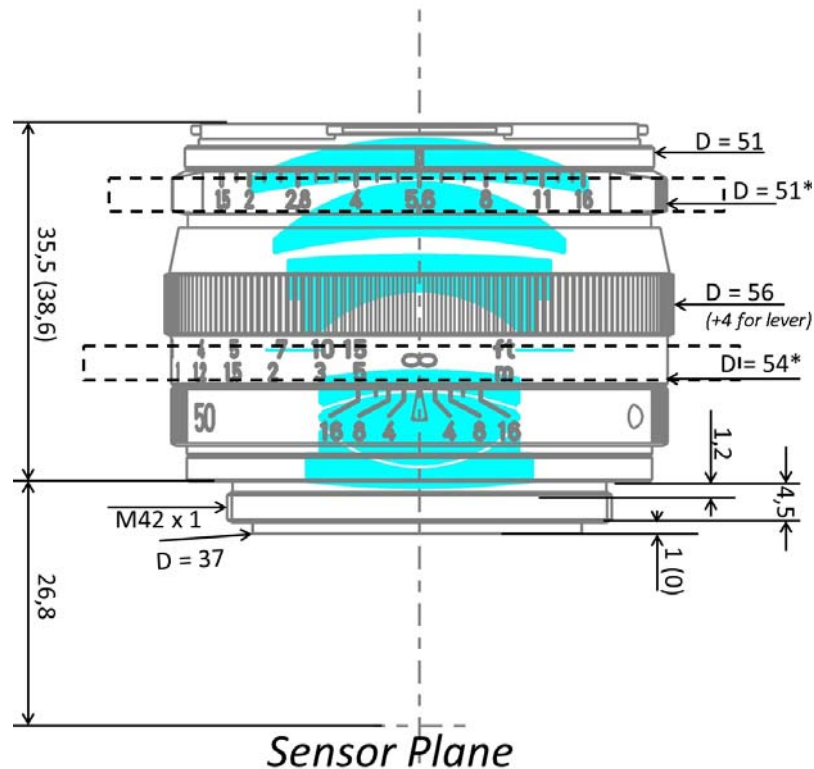
All values are valid for infinity. Values in brackets are valid for MOD.
 *Excluding fixing screws. Length of fixing screws: 8 mm

Focal length	35 mm
Aperture range	f/2 – f/22 (1/3 stop intervals)
Number of elements / groups	9 / 6
Min. working distance (object to sensor)	700 mm (2.3 ft.) – ∞
Min. free working distance	628 mm (2,06 ft.) – ∞
Angular field²⁾ (diag. / horiz. / vert.)	63 / 54 / 38°
Max. diameter of image field	43 mm (1.7")
Flange focal length	26.8 mm (1.05") with M42 Mount
Coverage at close range²⁾	430 x 650 mm (16.8 x 24.7")
Image ratio at close range	1:18
Filter-thread	M 43 x 0.75
Weight	240 g (0.48 lbs.)
Camera mount	M42 with Flange Focal Distance 26,8 mm

2) referring to Full Frame Format

C-Sonnar T* 1.5/50

Technical Specifications



All values are valid for infinity. Values in brackets are valid for MOD.
 *Excluding fixing screws. Length of fixing screws: 8 mm

Focal length	50 mm
Aperture range	f/1,5 – f/16 (1/3 stop intervals)
Number of elements / groups	6 / 4
Min. working distance (object to sensor)	900 mm (2,95 ft.) – ∞
Min. free working distance	830 mm (2,73 ft.) – ∞
Angular field²⁾ (diag. / horiz.)	45 / 38°
Max. diameter of image field	43 mm (1.7")
Flange focal length	26.8 mm (1.05") with M42 Mount
Coverage at close range²⁾	370 x 450 mm (14.5 x 17,6")
Image ratio at close range	1:16
Filter-thread	M 46 x 0.75
Weight	250 g (0.55 lbs.)
Camera mount	M42 with Flange Focal Distance 26,8 mm

2) referring to Full Frame Format

1) All Data for infinite focus setting